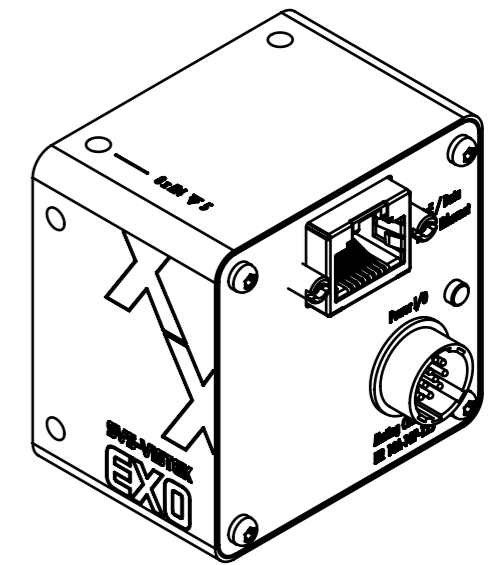
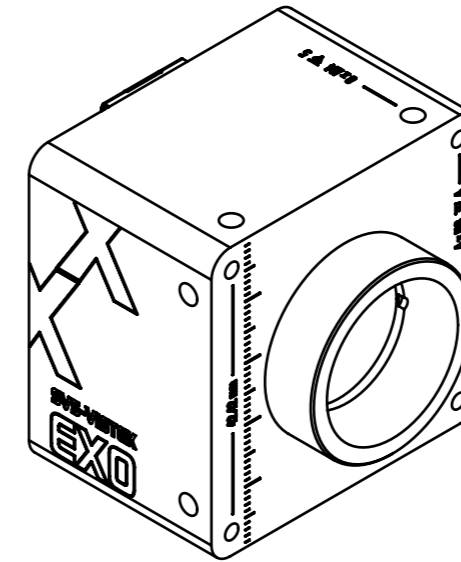
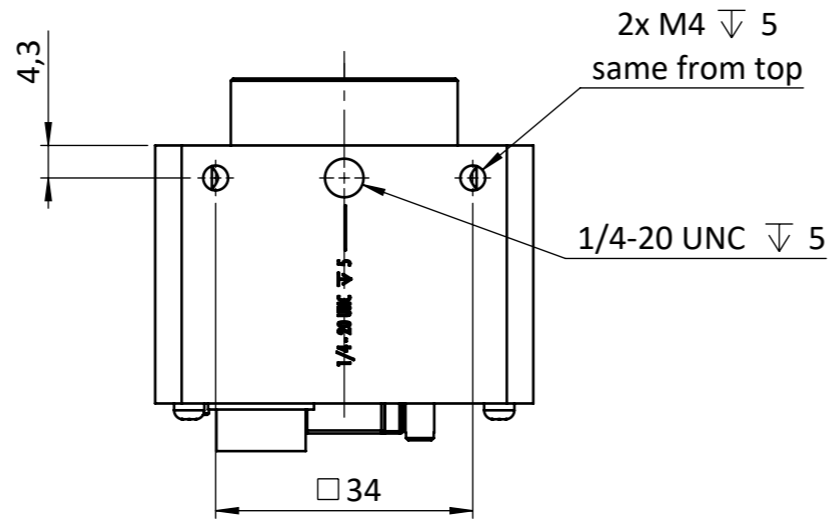
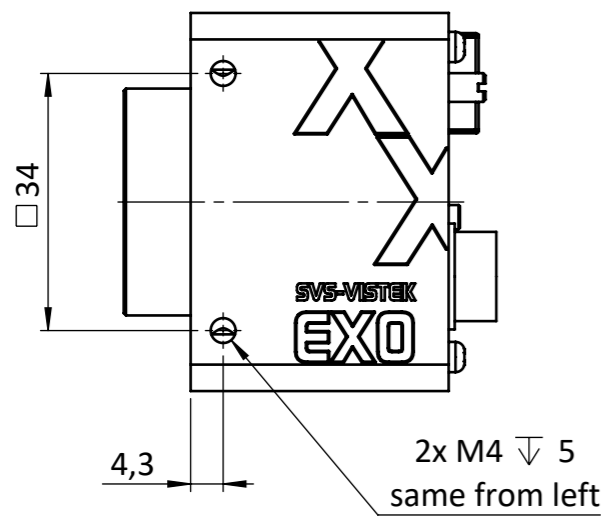


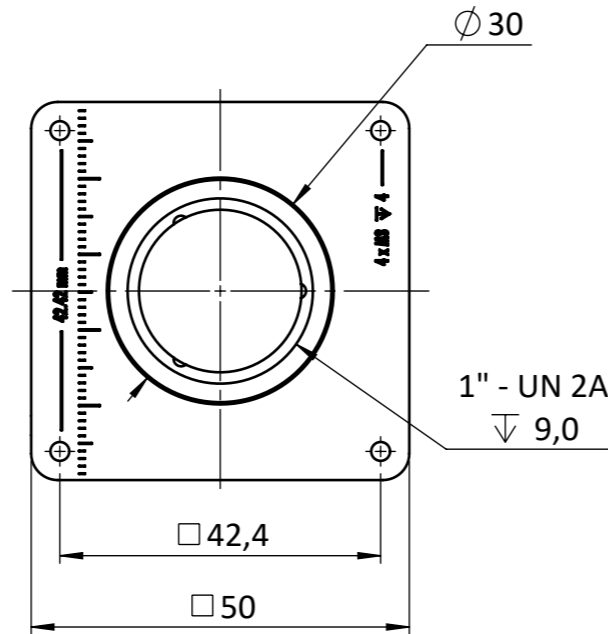
bottom view



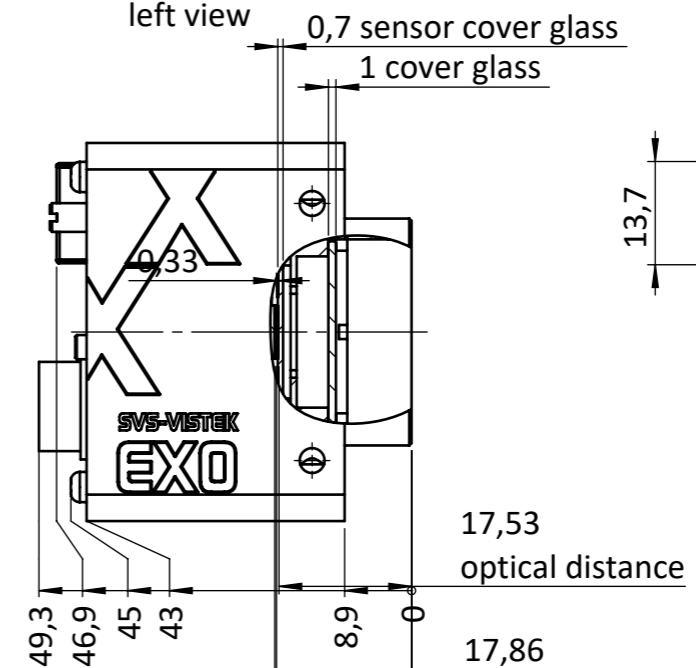
right view



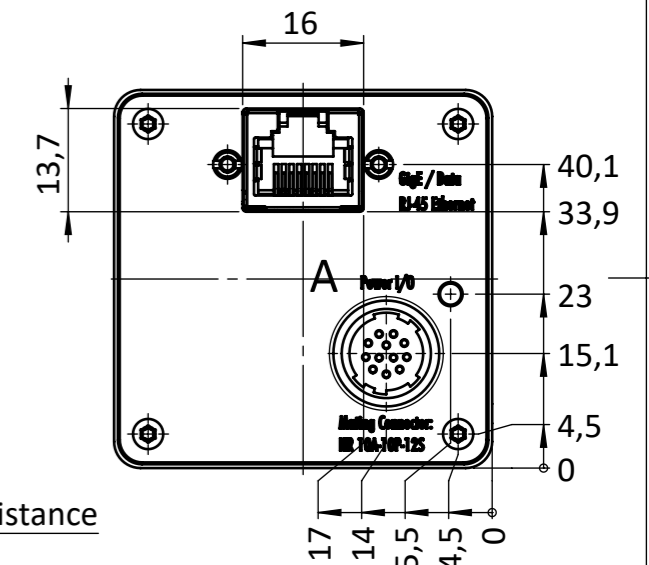
front view



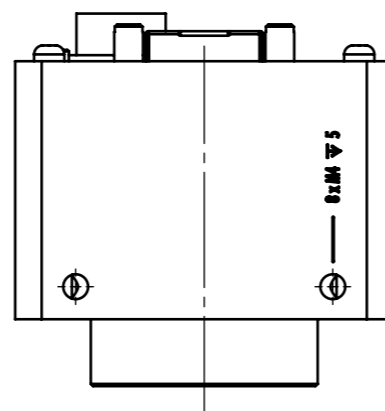
left view



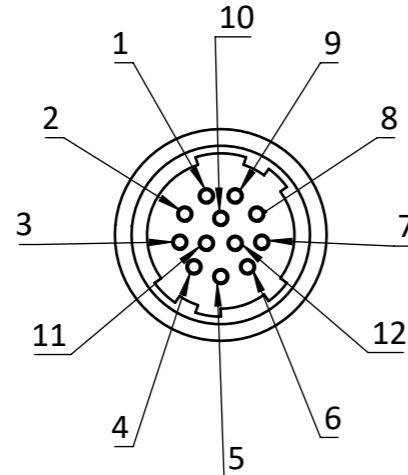
back view



top view



Hirose Connector



DETAIL A
MAßSTAB 2 : 1

Pin	Signal	Hirose Pinout EXO, HR (CL Deca, CXP), SHR
1	V IN- (GND)	EXO, HR (CL Deca, CXP), SHR
2	V IN+ (10 - 25V)	
3	IN 4 RxD (RS232)	
4	OUT 4 TxD (RS232)	
5	IN 1 (0 - 24V)	
6	IN 2 (0 - 24V)	
7	OUT 1 (open drain)	
8	OUT 2 (open drain)	
9	IN 3+ (opto IN+)	
10	IN 3- (opto IN-)	
11	OUT 3 (open drain)	
12	OUT 0 (open drain)	
	Shielding	

drawing applies to
cameras
EXO250xGE
EXO264xGE
EXO265xGE

		all dimensions in mm unless otherwise specified		Scale: 1:1		Rev.: 1	
SVS-VISTEK				Customer Interface Drawing			
Drawn	S.Seiler	Sign.		Date	30.09.2021	Title: EXO250_264xGE_POE	
Checked							
		Material:		Material No.:		A3	
		Weight:				Blatt / Sheet 1 / 1	